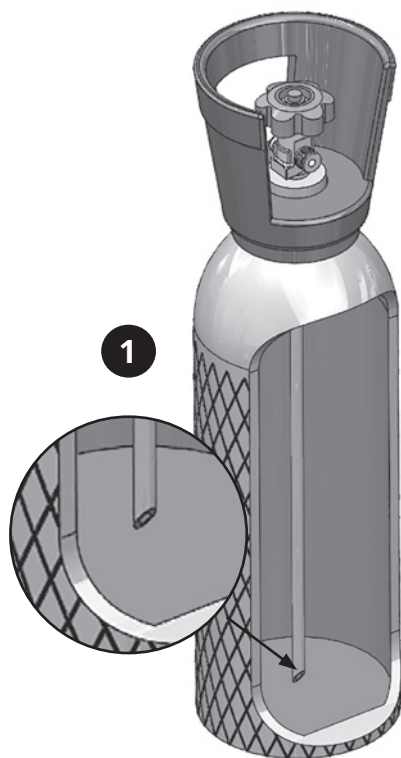


THRILL®

CO2 CYLINDER quick guide



THRILL utilizes CO2 to provide an efficient and effective level of sanitization and refrigeration. For this reason, the cylinder must have what is called a “SIPHON TUBE” which draws the liquid CO2 from the bottom of the cylinder as indicated in figure 1.

The flow of CO2 is controlled by an electric valve (included with THRILL) shown in figure 2 and is attached to the tank using the standard connection provided. This is secured through a nylon fitting indicated in Figure 3 and 4 and should be adequately tightened to insure the seal does not leak.



This connection varies depending on the geographic area:



Mod. A
Countries: EU standard
(all of Europe except
Czech Republic and
Slovakia), Africa, Middle
East, Australia, Thailand,
Mexico, Central
and South America,
Hong Kong, etc



Mod. B
Countries: USA, Canada



Mod. C
Countries: China



Mod. D
Countries: Russia,
Czech Republic, Slovakia,
Finland



Mod. E
Countries: Japan

Design and engineered by

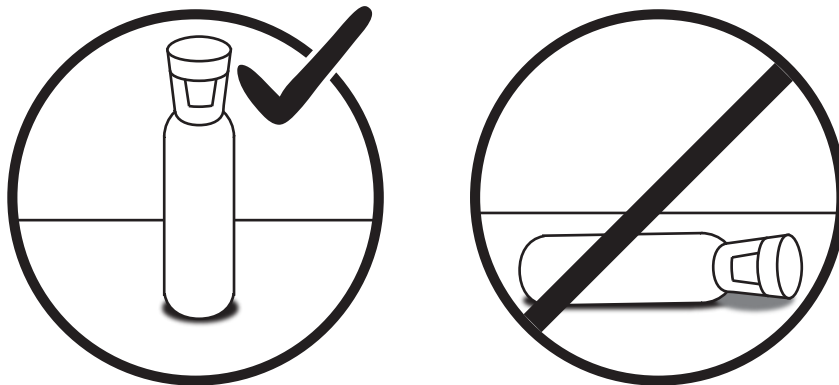
THRILL®
INTERNATIONAL

IMPORTANT! PLEASE READ....

THRILL Operates using Liquid CO2. This requires a cylinder with a "**SIPHON TUBE**". This cylinder looks identical to the more common tank typically used for draft beer or soda systems except that inside the cylinder there is a tube that draws the liquid CO2 from the bottom rather than gas from the top.

Your CO2 provider understands the difference and can supply these tanks but need to be made aware that this application requires a "**SIPHON TUBE**". Your staff must also understand and be sure to attach the proper tank when replacing an empty cylinder.

If the THRILL is not chilling properly then you have either attached the wrong type of cylinder or it is empty. See the owners manual for illustrations and more detail. Two cylinders per THRILL are recommended.



Design and engineered by

THRILL®
INTERNATIONAL