

EQUIVALENT TO 6" ROUND DUCT

7.74

4.65

Ø5.94 od

4.27
2.00

REAR VIEW

71H0353-00

71H0670


71H0667a

71H0353-00

71H0671

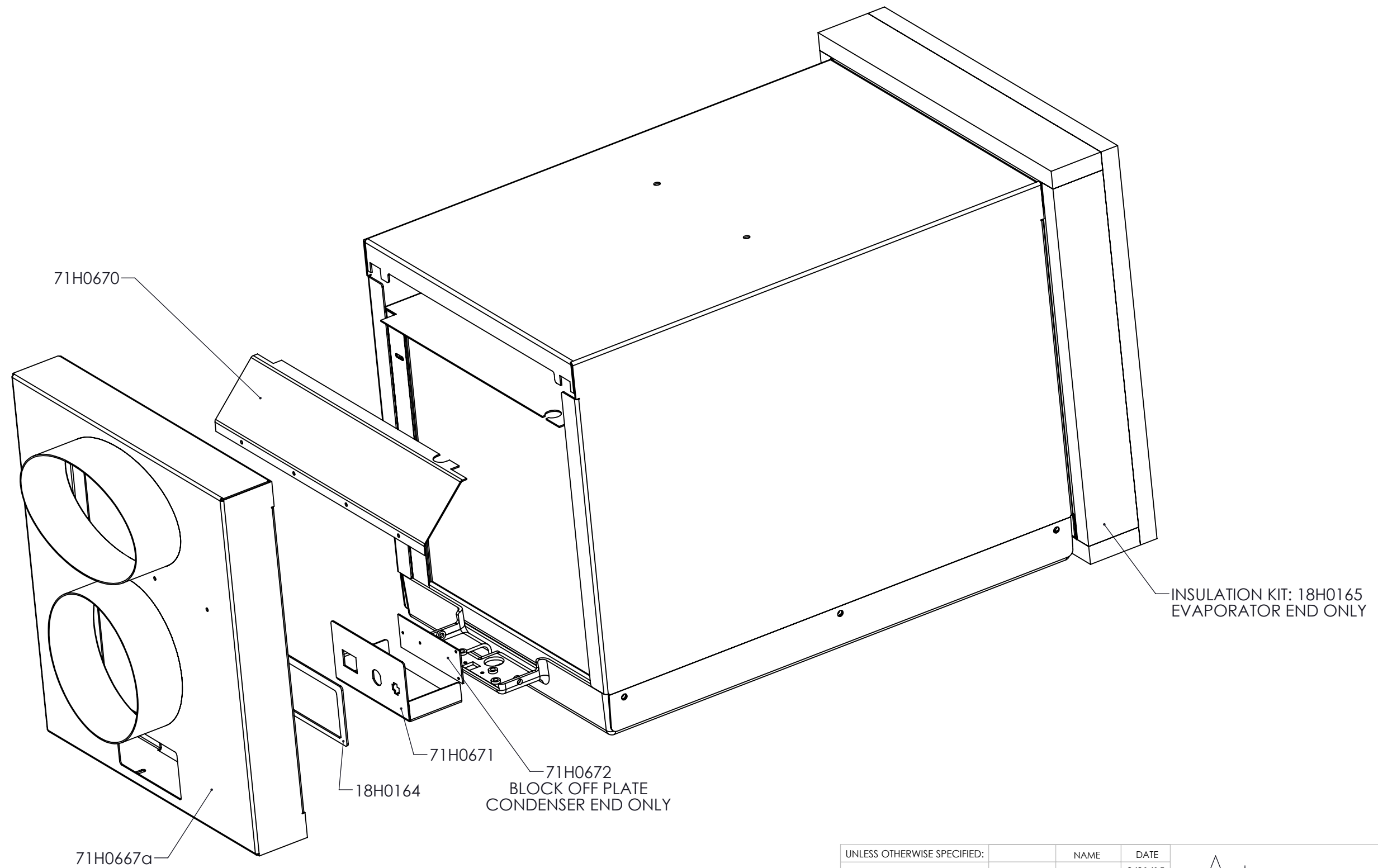
71H0670 CONDENSER END
71H0669 EVAPORATOR END

71H0671


UNLESS OTHERWISE SPECIFIED:		NAME	DATE	 AIR INNOVATIONS® 7000 PERFORMANCE DRIVE, SYRACUSE, NY 13212, Tel. 315-452-7400	
DIMENSIONS ARE IN INCHES		DRAWN	BCM		3/31/15
TOLERANCES:		CHECKED			
FRACTIONAL ± 1/16		ENG APPR.			
ANGULAR: MACH ± 2 BEND ± 2		MFG APPR.			
TWO PLACE DECIMAL ± .03				TITLE:	
THREE PLACE DECIMAL ± .015				TTW END DUCT ASSY, PLASTIC BASE	
INTERPRET GEOMETRIC TOLERANCING PER:		MATERIAL:		SIZE	
COMMENTS:		MODEL:		DWG. NO.	
-				B	
				REV	
				END DUCT ASSY-PLASTIC BASE	
DO NOT SCALE DRAWING				SHEET 1 OF 3	

8 7 6 5 4 3 2 1

D
C
B
A



UNLESS OTHERWISE SPECIFIED:		NAME	DATE
DIMENSIONS ARE IN INCHES		DRAWN	BCM
TOLERANCES:		CHECKED	3/31/15
FRACTIONAL ± 1/16		ENG APPR.	
ANGULAR: MACH ± 2 BEND ± 2		MFG APPR.	
TWO PLACE DECIMAL ± .03			
THREE PLACE DECIMAL ± .015			
INTERPRET GEOMETRIC TOLERANCING PER:	MATERIAL		
COMMENTS:	FINISH		
DO NOT SCALE DRAWING			

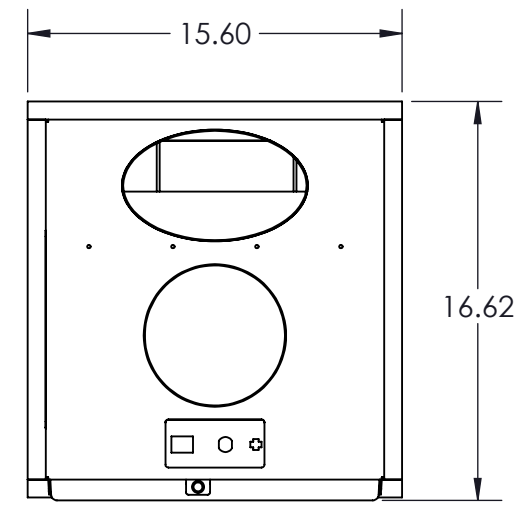
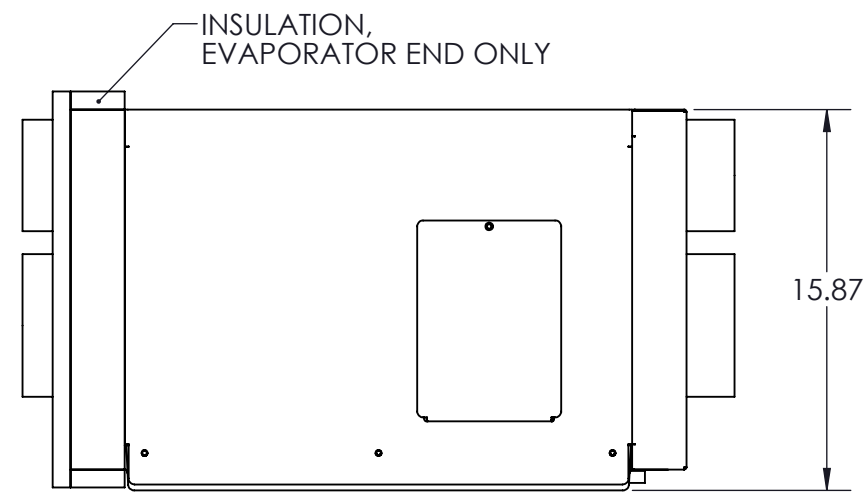
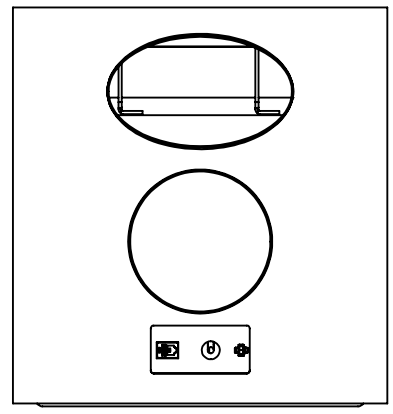
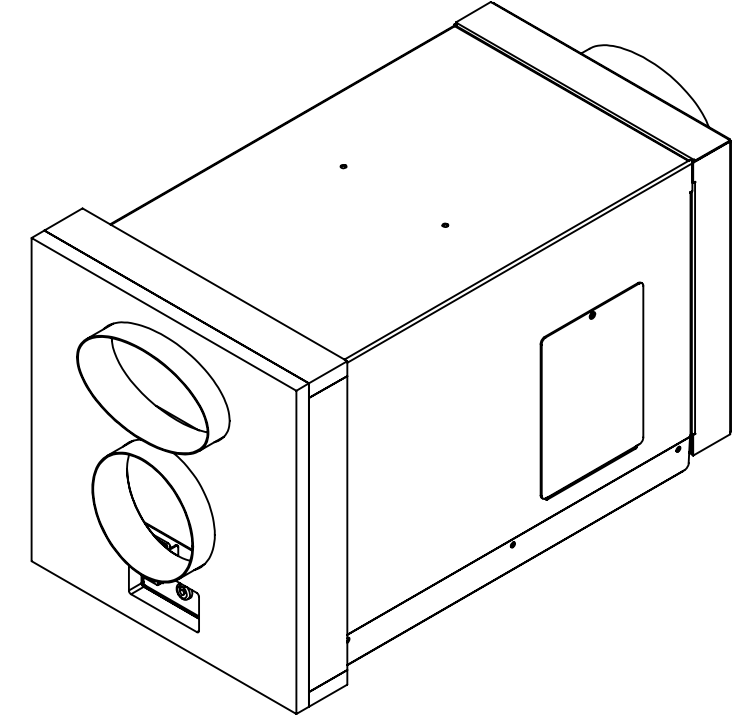
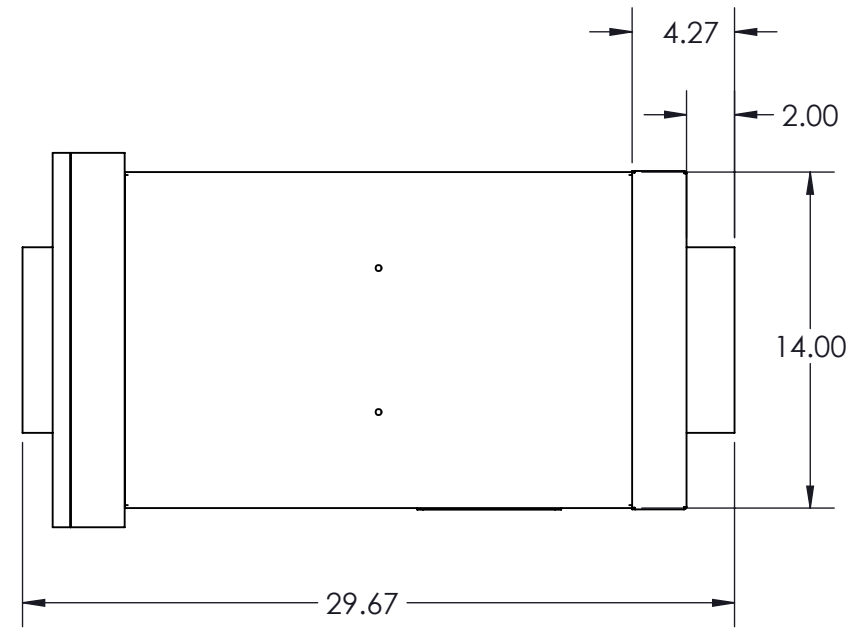
 AIR INNOVATIONS Cleanroom Systems / Floratech 7000 PERFORMANCE DRIVE, SYRACUSE, NY, 13212, 452-7400		
TITLE:		
TTW END DUCT, PLASTIC BASE		
SIZE	DWG. NO.	REV
B	END DUCT ASSY-PLASTIC BASE	
		SHEET 2 OF 3


8 7 6 5 4 3 2 1

8 7 6 5 4 3 2 1

D
C
B
A

D
C
B
A



UNLESS OTHERWISE SPECIFIED: DIMENSIONS ARE IN INCHES TOLERANCES: FRACTIONAL ± 1/16 ANGULAR: MACH ± 2 BEND ± 2 TWO PLACE DECIMAL ± .03 THREE PLACE DECIMAL ± .015	DRAWN	NAME	DATE	 AIR INNOVATIONS Cleanroom Systems / Floratech 7000 PERFORMANCE DRIVE, SYRACUSE, NY, 13212, 452-7400
	CHECKED	BCM	3/31/15	
	ENG APPR.			
	MFG APPR.			
INTERPRET GEOMETRIC TOLERANCING PER:	MATERIAL			TITLE:
COMMENTS:	FINISH			TTW END DUCT, PLASTIC BASE SIZE B DWG. NO. END DUCT ASSY-PLASTIC BASE REV
DO NOT SCALE DRAWING				SHEET 3 OF 3

8 7 6 5 4 3 2 1